

DESIGN N°

5486

EASY



SIRDAR

WEST YORKSHIRE
Est. 1880



WEST YORKSHIRE
BRITISH
DESIGN,
EXPERTISE AND
CRAFTSMANSHIP
TRUSTED BY
GENERATIONS
OF HAND
KNITTERS
EST. 1880

WE TRIPLE-CHECK
OUR PATTERNS TO
GUARANTEE SUCCESS
WHEN YOU USE
SIRDAR YARNS

SNUGGLY

Baby Bamboo
DOUBLE KNITTING

0-2 YEARS

MORE COLOURS
ON BACK PAGE



SIRDAR

WEST YORKSHIRE
Est. 1880

SNUGGLY

Baby Bamboo

DOUBLE KNITTING

Established in West Yorkshire in 1880, Sirdar is a British yarn company with a rich hand knitting heritage. Generations of families have grown up wearing Sirdar hand knitting yarns and designs.

Sirdar Snuggly is the brand our customers trust to keep their little ones warm and comfortable. Every Sirdar Snuggly yarn has been rigorously tested so you know it will be kind to your baby's tender skin and remain soft and gentle, wash after wash.

Snuggly Baby Bamboo blends natural bamboo-sourced viscose with soft pure wool, for an incredibly smooth and gentle yarn, perfect for cool knits from our *Baby Naturals* collection to keep your little one comfortable all summer.



"I love knitting for my baby and these designs are perfect for cute posts on Instagram"

TRY THESE SHADES

Turn to the back page to choose your favourite.



082 Duck Egg



115 Bobbi Blue



133 Willow



116 Lemonade



T Shirts
shade 081 & 082



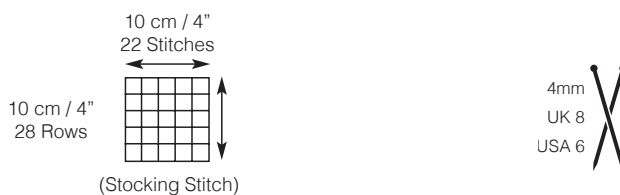
MEASUREMENTS

Follow the pattern instructions for your size

Age		0-3 months	3-6 months	6-9 months	9-12 months	12-18 months	18-24 months
Chest		42 cm 16½"	46 cm 18"	50 cm 19¾"	52 cm 20½"	54 cm 21¼"	56 cm 22"
Width		46 cm 18"	50 cm 19¾"	54 cm 21¼"	56 cm 22"	58 cm 22¾"	60 cm 23¾"
Full Length		25 cm 9¾"	27 cm 10¾"	30 cm 11¾"	32 cm 12½"	34 cm 13½"	36 cm 14"
Sleeve Length		3 cm 1¼"	3 cm 1¼"	3 cm 1¼"	3 cm 1¼"	3 cm 1¼"	3 cm 1¼"
Round Neck T-Shirt							
Yarn* No Balls		3	3	3	4	4	4
Collared T-Shirt							
Yarn * No Balls		3	3	3	4	4	4
Buttons		2	2	2	2	2	2
Yarn	F071 Snuggly Baby Bamboo, DK, 50g, Round Neck T-Shirt shade 081 Pink Linen. Collared T-Shirt shade 082 Duck Egg						
Button Ref	Sirdar Elegant Button Code B5611 - 0121						
You also need	1 Pair of 4mm (UK8 - USA6) Knitting Needles, 1 Pair of 3¼mm (UK10 - USA3) Knitting Needles and Stitch Holders. 1 60cm 3¼mm (UK10 - USA3) Circular Knitting Needle.						

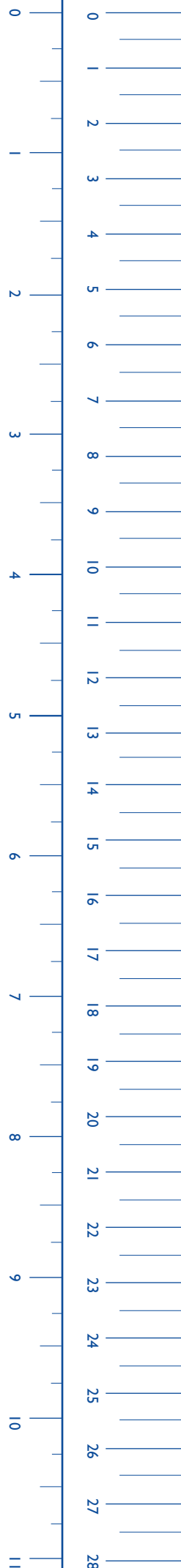
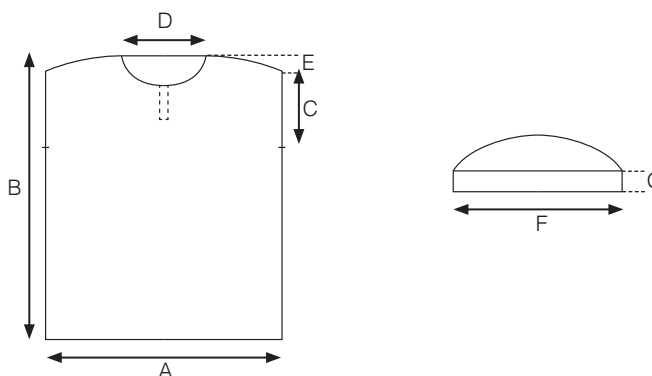
*Average number of balls required when you use the specified Sirdar yarn and tension shown below.

TENSION & NEEDLES



PIECE MEASUREMENTS

- A 23 [25:27:28:29:30]cm
(9 [9¾:10¾:11:11½:11¾]")
- B 25 [27:30:32:34:36]cm
(9¾ [10¾:11¾:12½:13½:14]")
(measured from back of neck)
- C 11 [11:12:12:13:14]cm
(4¼ [4¼:4¾:4¾:5¼:5½]")
- D 9 [10:11:12:12:12]cm
(3½ [4:4¼:4¾:4¾:4¾]")
- E 5 [5:6:6:6:6]cm
(2 [2:2½:2½:2½:2½]")
- F 19 [20:21:22:23:24]cm
(7½ [8:8¼:8¾:9:9½]")
- G 3 [3:3:3:3:3]cm
(1¼ [1¼:1¼:1¼:1¼:1¼]")



STITCHES & ABBREVIATIONS

beg - beginning
cm - centimetres
cont - continue
dec - decrease(ing)
DK - double knitting
g - grammes
in - inch(es)
inc - increase(ing)
k - knit
mm - millimetres
0 - no stitches
p - purl
rem - remain(ing)
rep - repeat
rs - right side
st(s) - stitch(es)
ws - wrong side

ROUND NECK T-SHIRT

BACK

Using 4mm needles and thumb method cast on **52** [55:58:61:64:67] sts.

1st Row. Knit.

2nd Row. Purl.

1st and 2nd rows set st-st (stocking stitch).

Work 4 rows more in st-st.

1st Row. * K1, p2, rep from * to last st, k1.

2nd Row. P1, * k2, p1, rep from * to end.

1st and 2nd rows set 1x2 rib.

Work 3 rows more in 1x2 rib.

Next Row. Rib to end dec **2** [2:1:2:0:1] sts evenly across row.

50 [56:60:62:64:66] sts. **

Working in st-st (throughout) cont until back measures **25** [27:30:32:34:36]cm, ($9\frac{3}{4}$ [10 $\frac{3}{4}$:11 $\frac{3}{4}$:12 $\frac{1}{2}$:13 $\frac{1}{2}$:14]in), from beg of rib, ending with a ws row.

SHAPE SHOULDER

Cast off **7** [8:9:9:10] sts at beg of next 2 rows. **36** [40:42:44:46:46] sts.

Cast off **8** [9:9:9:10:10] sts at beg of next 2 rows. **20** [22:24:26:26:26] sts.

Cast off rem **20** [22:24:26:26:26] sts.

FRONT

Work as given for Back to **.

Working in st-st (throughout) cont until front measures **21** [23:25:27:29:31]cm, ($8\frac{1}{4}$ [9:9 $\frac{3}{4}$:10 $\frac{3}{4}$:11 $\frac{1}{2}$:12]in), from beg of rib, ending with a ws row.

SHAPE NECK

Next Row. K **18** [20:21:21:22:23], turn, slip rem **32** [36:39:41:42:43] sts onto a stitch holder.

Working on these **18** [20:21:21:22:23] sts only proceed as follows:-

Next Row. Purl.

Work 3 rows dec 1 st at neck edge in every row. **15** [17:18:18:19:20] sts.

Cont without shaping until front measures **25** [27:30:32:34:36]cm, ($9\frac{3}{4}$ [10 $\frac{3}{4}$:11 $\frac{3}{4}$:12 $\frac{1}{2}$:13 $\frac{1}{2}$:14]in), from beg of rib, ending with a ws row.

SHAPE SHOULDER

Next Row. Cast off **7** [8:9:9:9:10] sts, knit to end. **8** [9:9:9:10:10] sts.

Next Row. Purl.

Cast off rem **8** [9:9:9:10:10] sts.

With rs facing, rejoin yarn to rem **32** [36:39:41:42:43] sts left on a stitch holder, cast off **14** [16:18:20:20:20] sts and knit to end.

18 [20:21:21:22:23] sts.

Next Row. Purl.

Work 3 rows dec 1 st at neck edge in every row. **15** [17:18:18:19:20] sts.

Cont without shaping until front measures **25** [27:30:32:34:36]cm, ($9\frac{3}{4}$ [10 $\frac{3}{4}$:11 $\frac{3}{4}$:12 $\frac{1}{2}$:13 $\frac{1}{2}$:14]in), from beg of rib, ending with a rs row.

SHAPE SHOULDER

Next Row. Cast off **7** [8:9:9:9:10] sts, purl to end. **8** [9:9:9:10:10] sts.

Next Row. Knit.

Cast off rem **8** [9:9:9:10:10] sts.

SLEEVES (Both alike)

Using 4mm needles and thumb method cast on **43** [46:46:49:52:55] sts.

Work 6 rows in st-st.

Work 5 rows in 1x2 rib.

Next Row. Rib to end dec **1** [2:0:1:2:3] sts evenly across row.

42 [44:46:48:50:52] sts.

Working in st-st (throughout) cont until sleeve measures 3cm, (1 $\frac{1}{4}$ in) from beg of rib.

SHAPE SLEEVE TOP

Cast off **8** [8:9:9:9:10] sts at beg of next 2 rows. **26** [28:28:30:32:32] sts.

Cast off **8** [9:9:9:10:10] sts at beg of next 2 rows. **10** [10:10:12:12:12] sts.

Cast off rem **10** [10:10:12:12:12] sts.

NECKBAND

Join right shoulder seam. With rs facing, using 4mm needles, pick up and knit **14** [14:16:16:16:16] sts evenly along left side of neck, **16** [17:20:21:21:21] sts evenly from **14** [16:18:20:20:20] cast off sts at front of neck, **14** [14:16:16:16:16] sts evenly along right side of neck and **23** [25:27:29:

29:29] sts evenly from **20** [22:24:26:26:26] sts across back of neck.

67 [70:79:82:82:82] sts.

Starting with 2nd row of 1x2 rib work 5 rows.

Work 7 rows in st-st.

Cast off.

TO MAKE UP

Join left shoulder and neckband seams, reversing sewing along st-st for neckband rollback. Fold sleeves in half lengthways then placing fold to shoulder seams, sew sleeves in position for **11** [11:12:12:13:14]cm, ($4\frac{1}{4}$ [4 $\frac{1}{4}$:4 $\frac{3}{4}$:4 $\frac{3}{4}$:5 $\frac{1}{4}$:5 $\frac{1}{2}$]in) from top of shoulder. Join side and sleeve seams, reversing sewing along st-st for rollbacks. Pin out garment to the measurement given. Cover with damp cloths and leave until dry. See ball band for washing and further care instructions.

COLLARED T-SHIRT

BACK

Work as given for Back of Round Neck T-Shirt.

FRONT

Work as given for Back of Round Neck T-Shirt to **.

Working in st-st (throughout) cont until front measures **16** [18:20:22:24:26]cm, ($6\frac{1}{4}$ [7:8:8 $\frac{3}{4}$:9 $\frac{1}{2}$:10 $\frac{1}{4}$]in), from beg of rib, ending with a ws row.

DIVIDE FOR FRONT

OPENING

Next Row. K**22** [25:27:28:29:30], turn, slip rem **28** [31:33:34:35:36] sts onto a stitch holder.

Working on these **22** [25:27:28:29:30] sts only cont until front measures **21** [23:25:27:29:31]cm, ($8\frac{1}{4}$ [9:9 $\frac{3}{4}$:10 $\frac{3}{4}$:11 $\frac{1}{2}$:12]in), from beg of rib, ending with a rs row.

SHAPE NECK

Next Row. Cast off **4** [5:6:7:7:7] sts, purl to end. **18** [20:21:21:22:23] sts. Work 3 rows dec 1 st at neck edge in every row. **15** [17:18:18:19:20] sts.

Cont without shaping until front measures **25** [27:30:32:34:36]cm, ($9\frac{3}{4}$ [10 $\frac{3}{4}$:11 $\frac{3}{4}$:12 $\frac{1}{2}$:13 $\frac{1}{2}$:14]in), from beg of rib, ending with a ws row.

SHAPE SHOULDER

Next Row. Cast off **7** [8:9:9:9:10] sts, knit to end. **8** [9:9:9:10:10] sts.

Next Row. Purl.

Cast off rem 8 [9:9:10:10] sts.
 With rs facing, rejoin yarn to rem 28 [31:33:34:35:36] sts, cast off 6 sts and knit to end.
 22 [25:27:28:29:30] sts.
 Cont until front measures 21 [23:25:27:29:31]cm, (8¼ [9:9¼:10¼:11½:12]in), from beg of rib, ending with a ws row.

SHAPE NECK

Next Row. Cast off 4 [5:6:7:7:7] sts, knit to end. 18 [20:21:21:22:23] sts.

Next Row. Purl.

Work 3 rows dec 1 st at neck edge in every row. 15 [17:18:18:19:20] sts.

Cont without shaping until front measures 25 [27:30:32:34:36]cm, (9¾ [10¾:11¾:12½:13½:14]in), from beg of rib, ending with a rs row.

SHAPE SHOULDER

Next Row. Cast off 7 [8:9:9:9:10] sts, purl to end. 8 [9:9:9:10:10] sts.

Next Row. Knit.

Cast off rem 8 [9:9:9:10:10] sts.

SLEEVES (Both alike)

Work as given for Sleeves of Round Neck T-Shirt.

OVERLAY

With rs facing, using 3¼mm needles, pick up and knit 13 sts evenly along left side edge of front opening, cast on 1 st (this stitch to be used to sew underlay in place). 14 sts.

Next Row. P2, * k2, p1, rep from * to end.

Next Row. K1, p2, rep from * to last 2 sts, k2.

These 2 rows set rib.

Work 1 row more in rib.

Next Row (Buttonhole row). Rib 3, cast off 1 st, rib 5, cast off 1 st, rib 2.

Next Row. Rib 3, cast on 1 st, rib 6, cast on 1 st, rib 3.

Work 3 rows more in rib.

Cast off in rib.

UNDERLAY

With rs facing, using 3¼mm needles, cast on 1 st (this stitch to be used to sew underlay in place), pick up and knit 13 sts evenly along right side edge of front opening. 14 sts.

Next Row. * P1, k2, rep from * to last 2 sts, p2.

Next Row. K2, * p2, k1 rep from * to end.

These 2 rows set rib.

Work 6 rows more in rib.

Cast off in rib.

COLLAR

Join shoulder seams. With rs facing, using 3¼mm circular needle and starting at beg of right side neck shaping, pick up and knit 19 [20:23:24:23:24] sts evenly along right side of neck, pick up and knit 23 [24:27:31:33:31] sts from 20 [22:24:26:26:26] cast off sts at back of neck and 19 [20:23:24:23:24] sts evenly along left side of neck. 61 [64:73:79:79:79] sts.

Starting with 1st row of 1x2 rib work 5cm, (2in).

Cast off in rib.

TO MAKE UP

Placing overlay on top of underlay sew lower edges to cast off sts at front opening, sewing through all thicknesses.

Fold sleeves in half lengthways then placing folds to shoulder seams, sew sleeves in position for 11 [11:12:12:13:14]cm, (4¼ [4¼:4¾:4¾:5¼:5½]in), from shoulder seams. Join side and sleeve seams reversing sewing along st-st for rollback. Sew on buttons.

Pin out garment to the measurement given. Cover with damp cloths and leave until dry. See ball band for washing and further care instructions.





DESIGN N° 5476



DESIGN N° 5474



DESIGN N° 5478


SIRDAR
 WEST YORKSHIRE
 Est. 1880

 MORE FROM OUR
**BABY NATURALS
 COLLECTION**

 SNUGGLY
 CASHMERE MERINO &
 SNUGGLY BABY BAMBOO



DESIGN N° 5475



DESIGN N° 5479



DESIGN N° 5480



DESIGN N° 5473



DESIGN N° 5481

SNUGGLY

Baby Bamboo

DOUBLE KNITTING

CHOOSE YOUR FAVOURITE COLOUR

082 Duck Egg



115 Bobbi Blue



133 Willow



116 Lemonade



SIRDAR

WEST YORKSHIRE
Est. 1880

FOR MORE INSPIRATION

[f/knitsirdar](#) #SIRDARMAKES [@knitsirdar](#) [/knitsirdar](#)

www.sirdar.com

